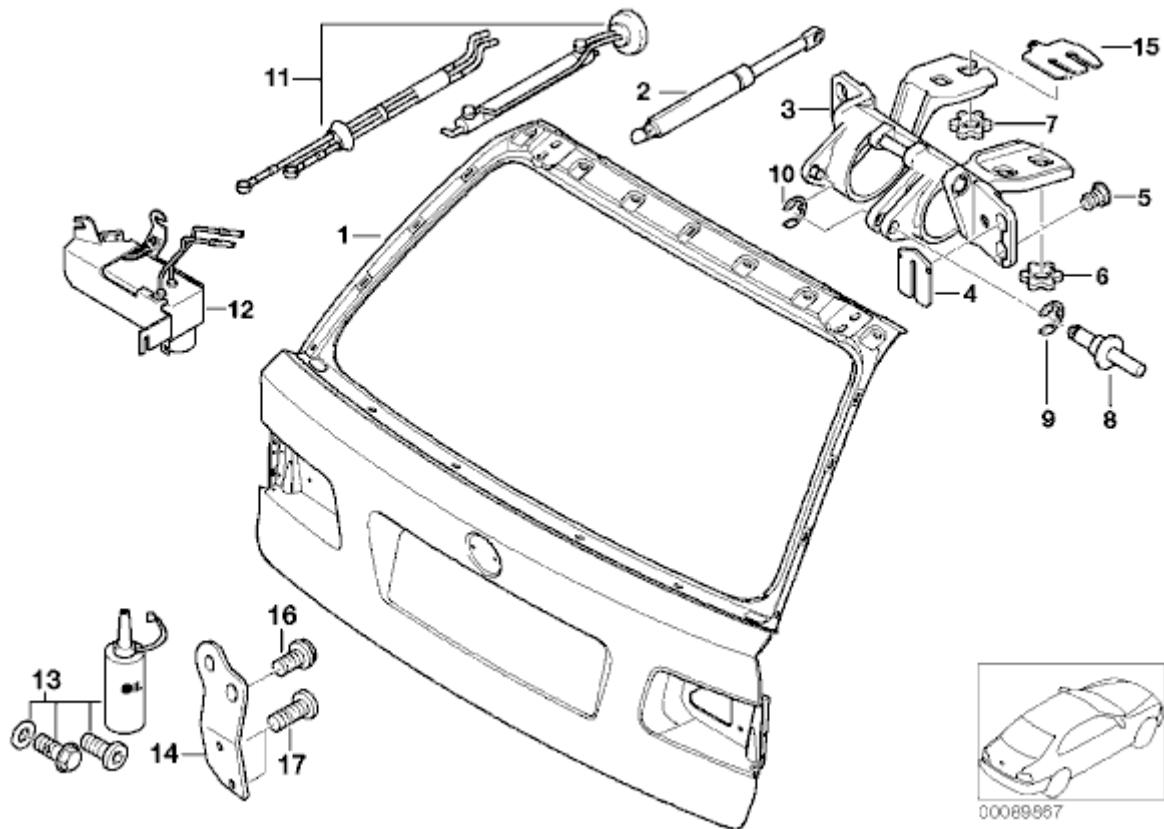


E39 540i Trunk lid hydraulic parts

RealOEM.com Home => [Select another car](#) => [Bodywork](#) => [tailgate rear spoiler](#)



No.	Description	Supplement	Qty	From	Up To	Part Number	Price	Notes	
01	Trunk lid		1			41627007396	\$673.07		
02	Gas pressurized spring	1600N	1			51248220072	\$67.93		
03	LEFT TRUNK LID HINGE		1			41617007403	\$116.74		
03	RIGHT TRUNK LID HINGE		1			41628227946	\$111.00		
04	Spacer	1.0MM	?			41628226060	\$2.00		
05	Torx-bolt with washer	ISA M8X22	8			41628199932	\$0.93		
06	STAR-SHAPED NUT	ASA M8	4			41628208439	\$1.15		
07	STAR-SHAPED NUT	ASA M8	4			41628208439	\$1.15		
08	Pin		1			51248205062	\$2.18		
	only applies to LEFT TRUNK LID HINGE								
08	Double pin		1			51247004890	\$18.45		
09	Circlip	6,0	2			07119901421	\$0.09		
10	Circlip	6,0	2			07119901421	\$0.09		
11	Hydraulic cylinder		1			51247015853	\$281.73		
12	Hydro unit		1			51247015684	\$663.57		
13	Hollow bolt set CONSISTING OF HOLLOW BOLT SCREW PLUG GASKET small oil bottle		1			51247015854	\$51.06		
14	INCLINATION INDICATOR BRACKET		1			51247004881	\$6.27		
15	Spacer	1.0MM	?			51248219000	\$1.85		
16	Torx bolt	4,8X13	1			51418119726	\$0.22		
17	Torx bolt for plastic material	ISA L=10MM	2			65758235255	\$0.10		

Notes

- Items pictured but not listed are not installed on your vehicle.
- Items pictured without a number are listed on another diagram.

